

TOYOTA Genuine Accessories

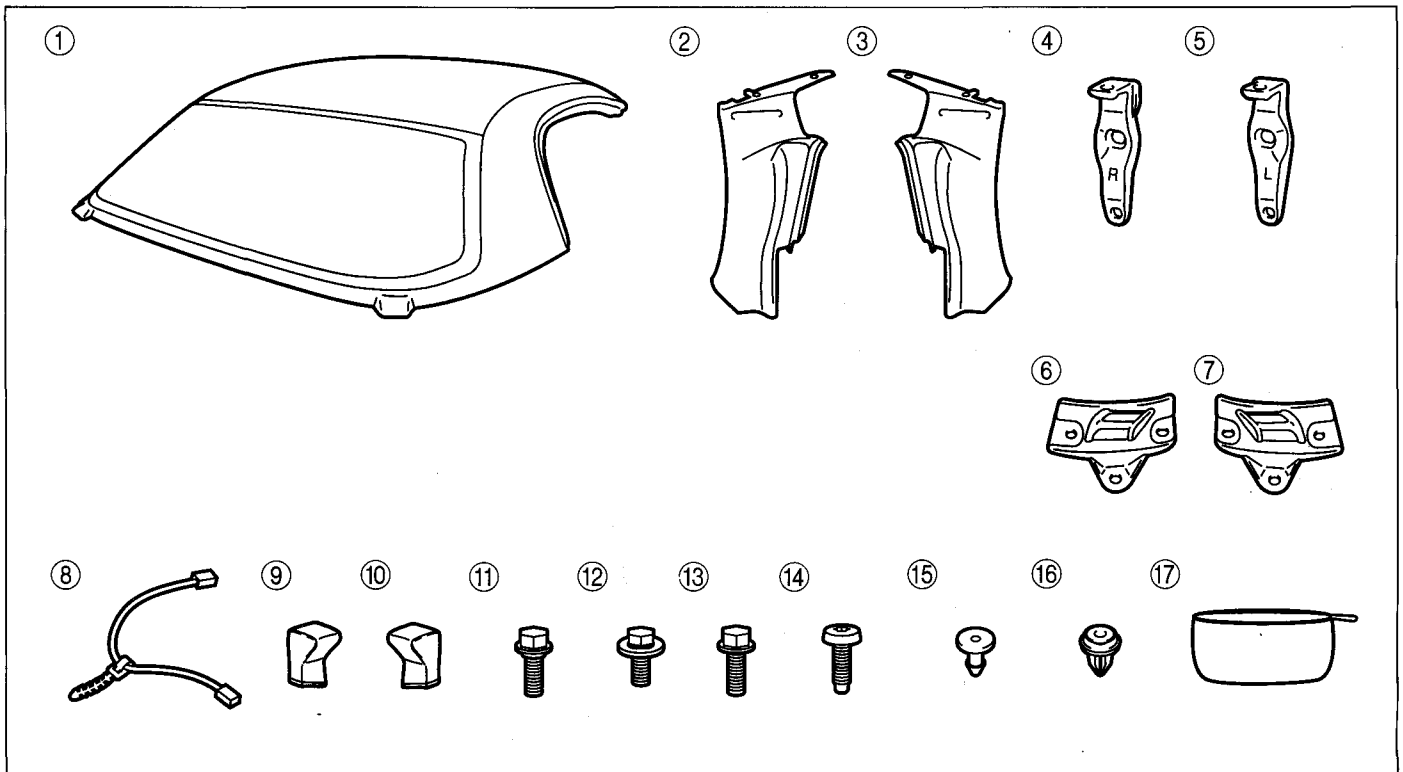
Installation Instructions for Detachable Top

Thank you for purchasing the TOYOTA Genuine Detachable Top. This booklet contains installation instructions for the MR-2 Detachable Top. To ensure this product is installed correctly, please read these instructions before starting installation.

Part Number	Vehicle Model	Model Year
63201 -17231 - * *	MR-2	Aug. 2000-

* *: Color code

Component Parts



No.	Part Name	Part Number	Pieces	No.	Part Name	Part Number	Pieces
①	Detachable Roof	—	1	⑩	Striker Cover LH	69342-17010	1
②	Panel Quarter Trim RH	62511-17090	1	⑪	Bolt A (M8×22)	75599-17020	2
③	Panel Quarter Trim LH	62512-17080	1	⑫	Bolt B (M8×18)	75599-17010	2
④	Striker RH	69431-17011	1	⑬	Bolt C (M8×22)	75599-17030	2
⑤	Striker LH	69432-17011	1	⑭	Bolt D (M6×22)	90148-60056	4
⑥	Bracket RH	58395-17020	1	⑮	Grommet	63686-17010	2
⑦	Bracket LH	58396-17020	1	⑯	Clip	90467-10161	2
⑧	Sub-wire harness for rear defogger	82187-17030	1	⑰	Storage Bag	63259-17010	1
⑨	Striker Cover RH	69341-17010	1				

Tools Required

General tools (Socket wrench, Tape, Torx wrench, Screw driver, Plastic scraper)

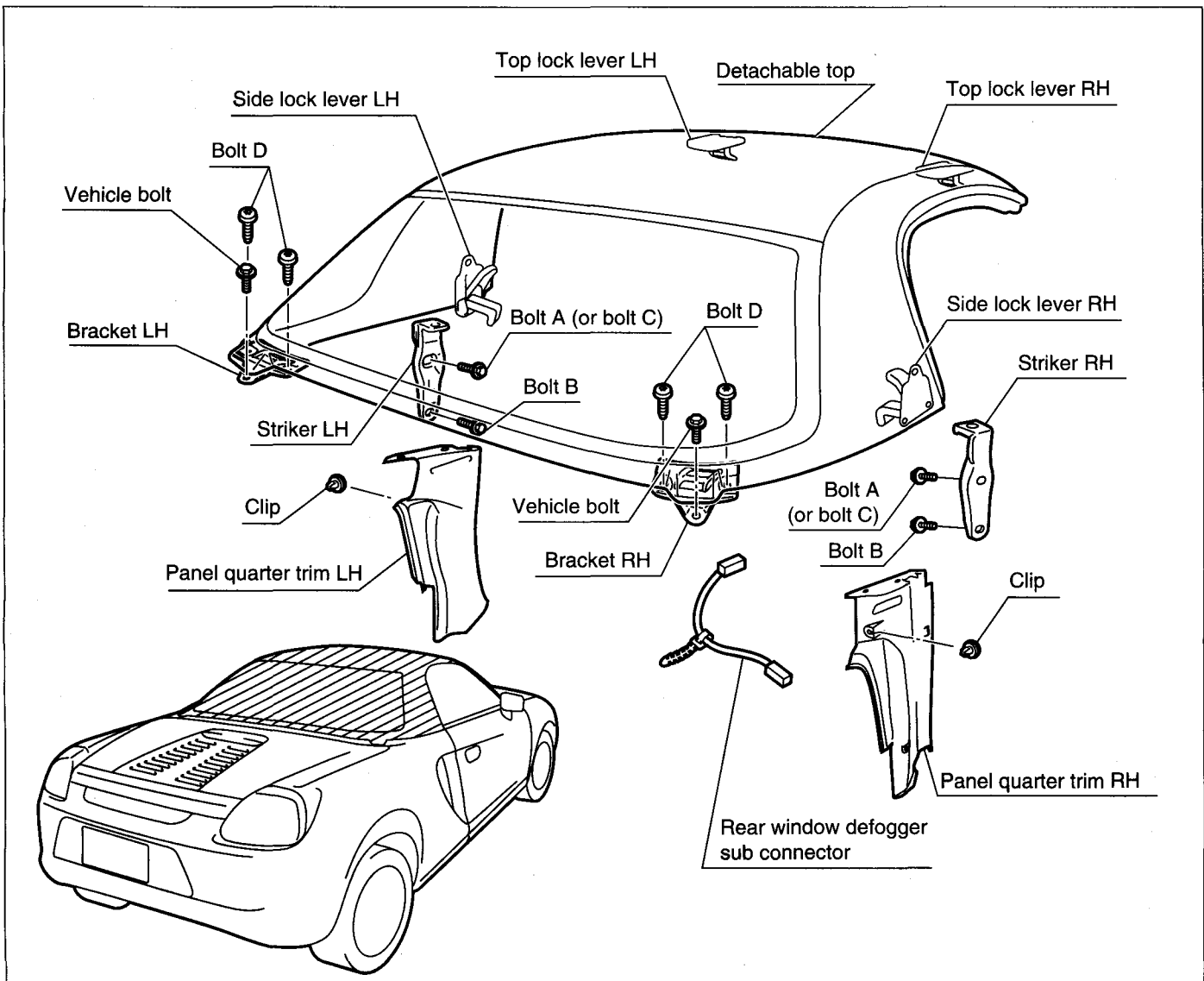
The reference guide

Cautions for Installation

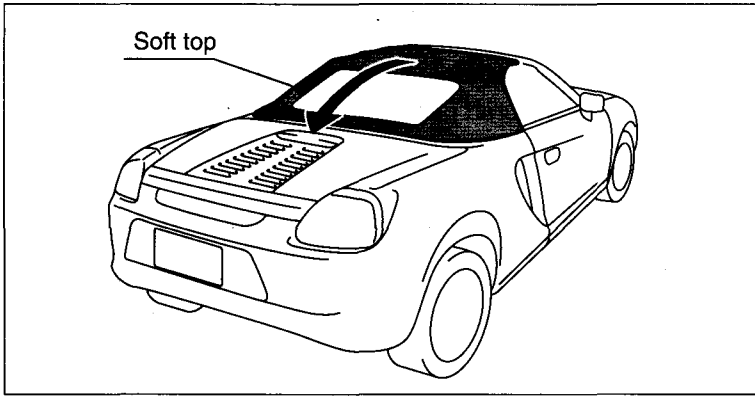
Please be sure to keep the cautions in the instructions in mind when conducting the installation. If these are not followed, it will not only interfere with the function of the product, but may also cause damage to the vehicle.

1. When disconnecting a connector, hold the connector itself and not the wire harness.
2. Never pull on the wire harness. It may cause a connection to become faulty.
3. Confirm that the connectors are properly connected.
4. Disconnect the negative terminals on the battery before carrying out any of the instructions. Also, be sure to turn the engine off.
5. When removing the parts, arrange the removed components in order (especially the bolts and clips). This will ensure that there will be no confusion when you are reinstalling them. Also, ensure that you do not damage the parts when installing and removing them.
6. Be sure not to remove any parts unless instructed to do so.

Installation Outline

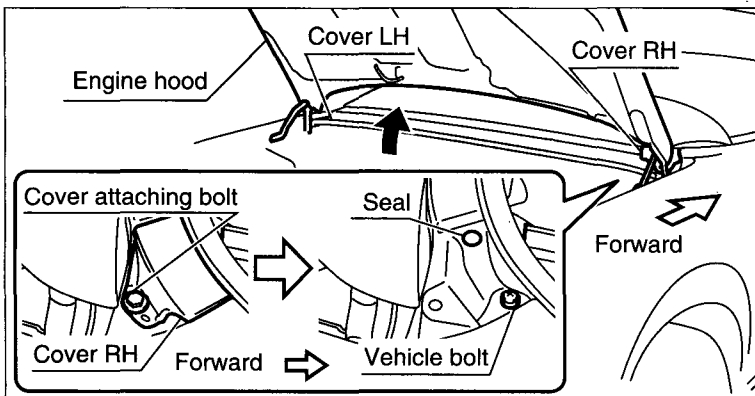


Installation Instructions



1. Removal of the parts

- (1) Lower the soft top into the rear storage space.
(Refer to the vehicle owner's manual for details.)



- (2) Open the engine hood and remove the bolt and cover on both sides of the vehicle.

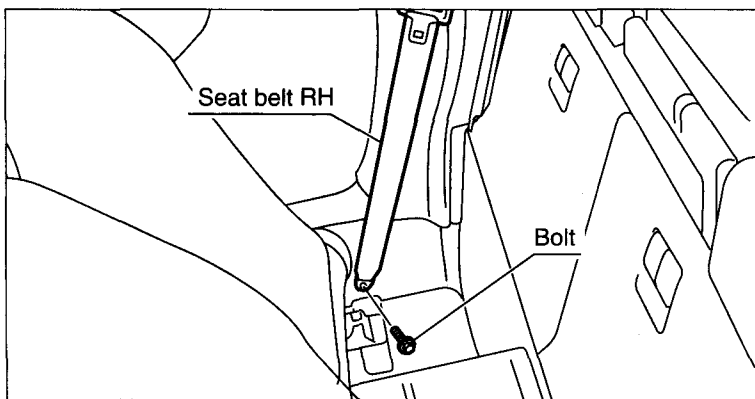
CAUTION:

Be sure not to lose the covers and the bolts.

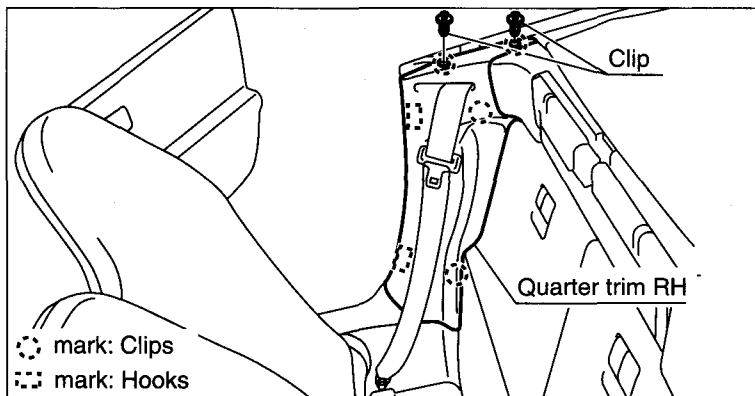
- (3) Peel off the seal and remove the bolt beneath the removed cover on both sides of the vehicle.

CAUTION:

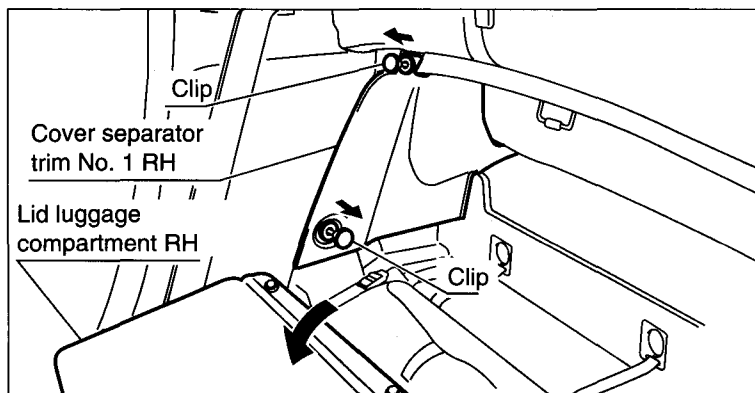
Put the removed covers and bolts in the supplied storage bag and be careful not to lose them.



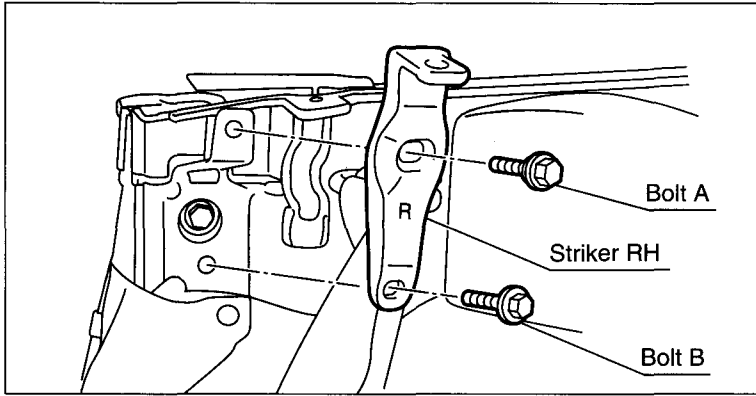
- (4) Retract the front seat and remove the bolt for the seat belt.



- (5) Remove the 4 clips and 2 hooks. Also remove the quarter trim RH/LH.

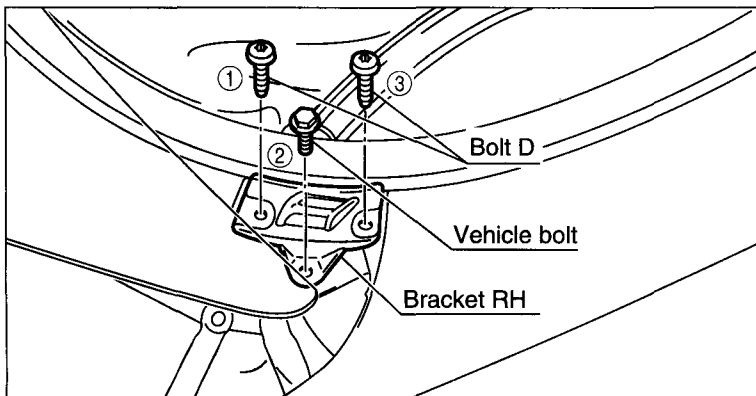


- (6) Open the lid luggage compartment RH and remove 2 clips and cover separator trim No. 1 RH.



2. Preparation for installation

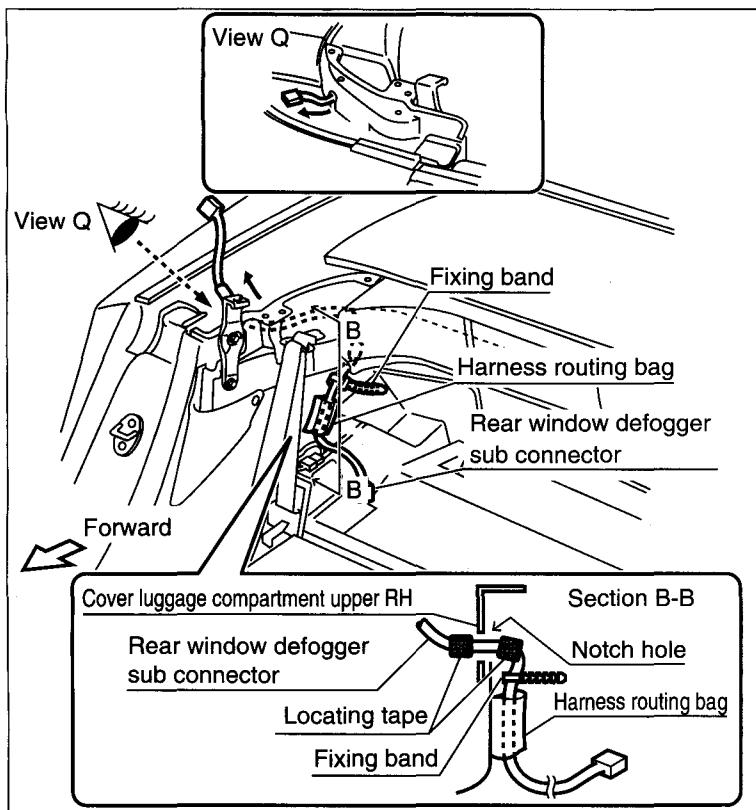
- (1) Temporarily install the RH/LH striker in the pictured position using bolts A and B.



- (2) Install bracket (RH, LH) using 3 bolts. (2 bolt D and 1 vehicle bolt)
Fasten bolts in order ① – ③.

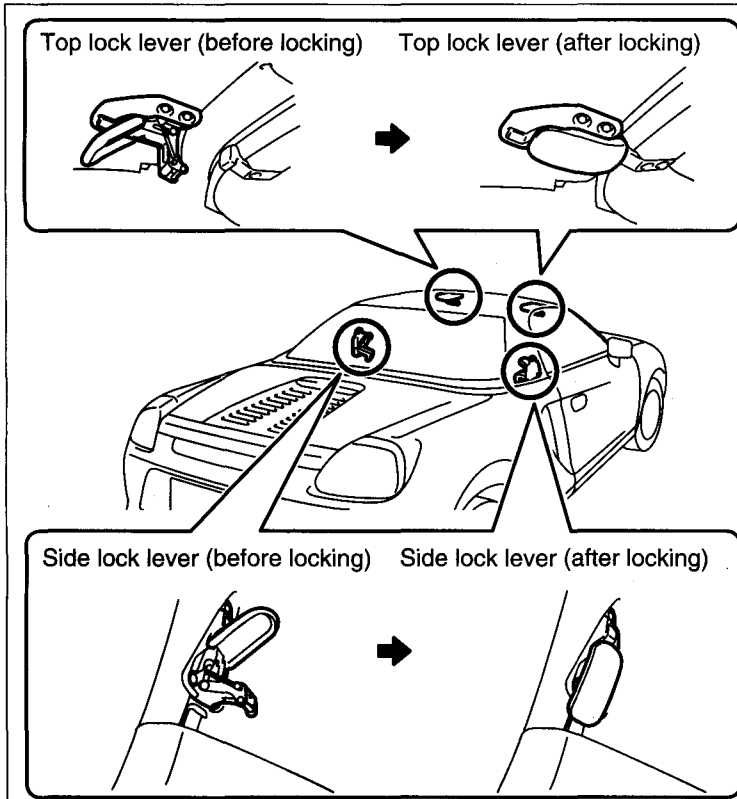
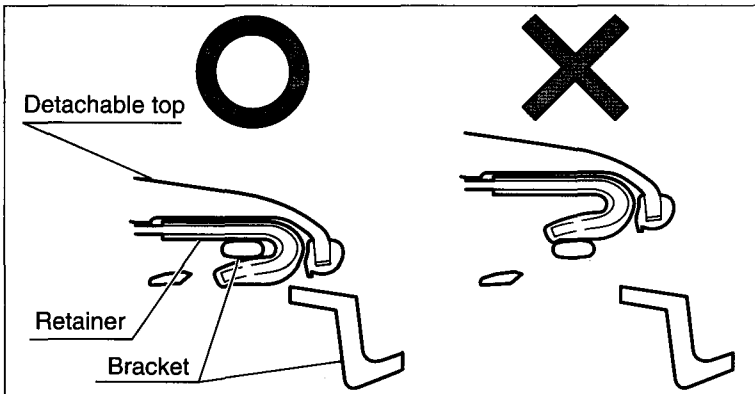
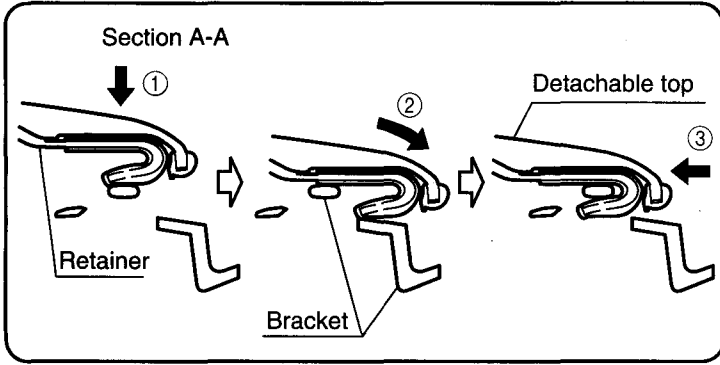
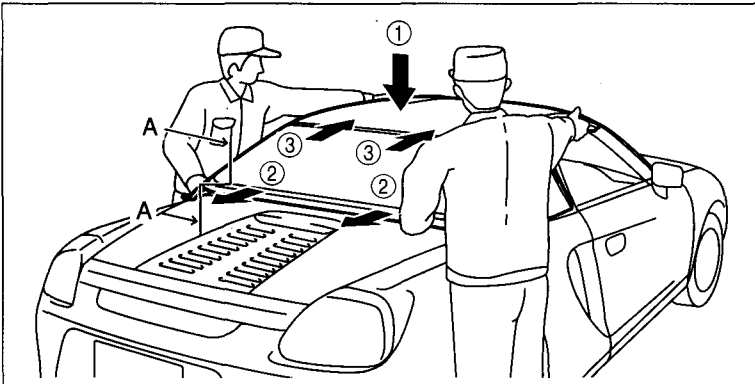
CAUTION:

Fastening torque: 17.7Nm – 26.5Nm



3. Connection of the rear defogger connector

- (1) Pull out the rear window defogger sub connector from the notch hole of the cover luggage compartment RH.
- (2) Set the rear window defogger sub connector at the proper position as shown in the illustration.



4. Installation of the Detachable Top

(1) Before starting the installation, ensure that the following conditions are covered.

CAUTION:

- a. Confirm that the detachable top lock lever and the side lock lever are unlocked.
- b. Ensure that the window is open (lowered) and the door is closed.
- c. Ensure that the sun visor is down (lowered).
- d. Leave the engine hood closed.
- e. Retract the antenna.
- f. Detachable top should be installed by 2 people.

(2) Install the detachable top onto the vehicle in the order depicted in the adjacent illustration (① – ③).

- ① Install the detachable top onto the vehicle from the front.
- ② Slightly slide the detachable top to the rear of the vehicle.
- ③ Push the detachable top toward the front of the vehicle.

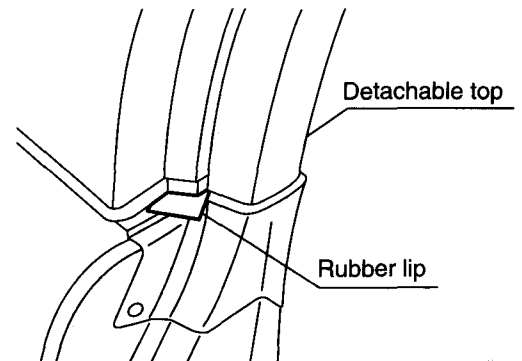
CAUTION:

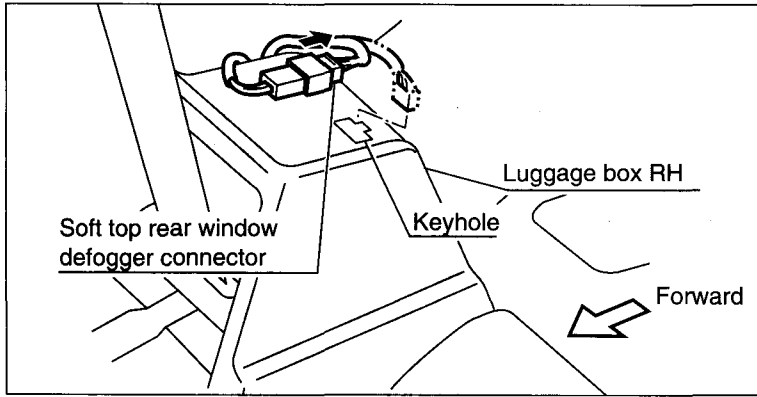
Confirm that the detachable top is properly set in the bracket.

(3) Lock the top lock lever first, then the side lock lever.

CAUTION:

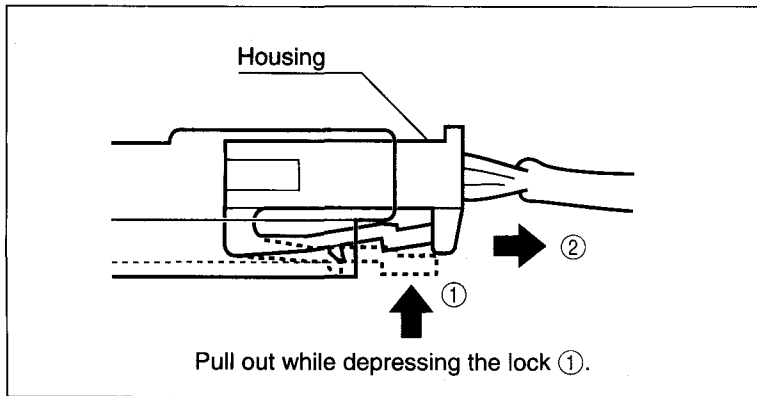
- a. When locking the levers, be careful not to pinch your fingers.
- b. Ensure that the levers are firmly locked.
- c. Confirm that the rubber lip on the center pillar is protruding correctly as shown in the illustration.





5. Connection of the rear defogger connector

- (1) Disconnect the rear defogger connector from the soft top.
- (2) Insert the removed connector into the keyhole of the luggage box RH and secure it firmly.

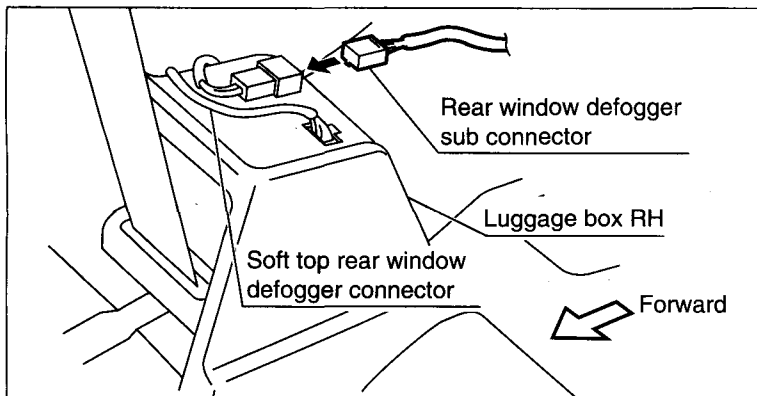


How to remove the connector

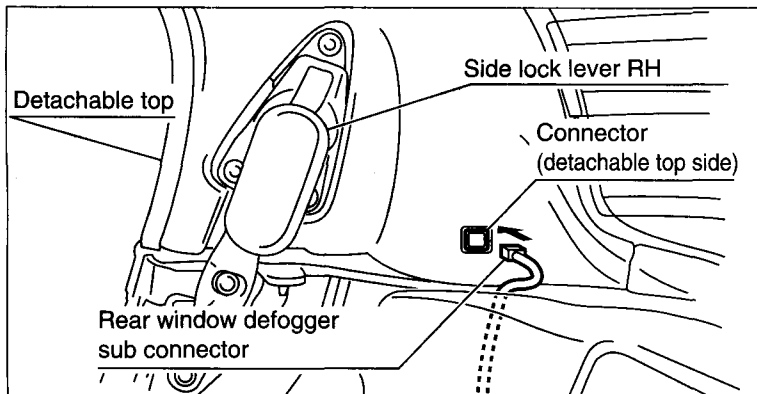
Hold the female connector housing and while depressing the lock ①, pull in the illustrated direction ②.

CAUTION:

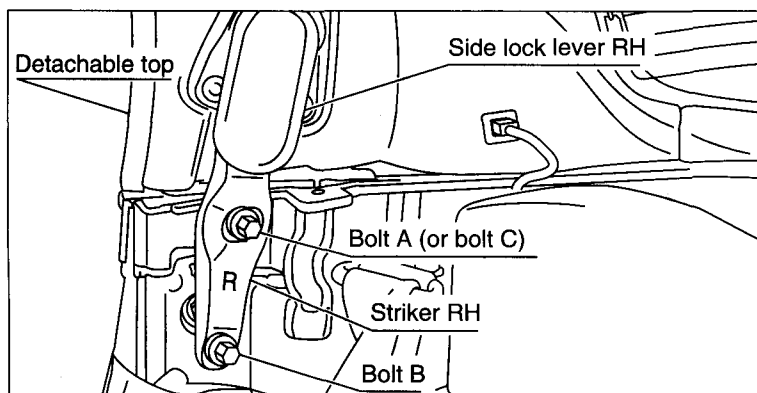
When removing the connector, do not pull the wire harness as it may break.



- (3) Firmly connect the rear window defogger sub connector as shown in the illustration.



- (4) Firmly connect the rear window defogger sub connector to the detachable top.

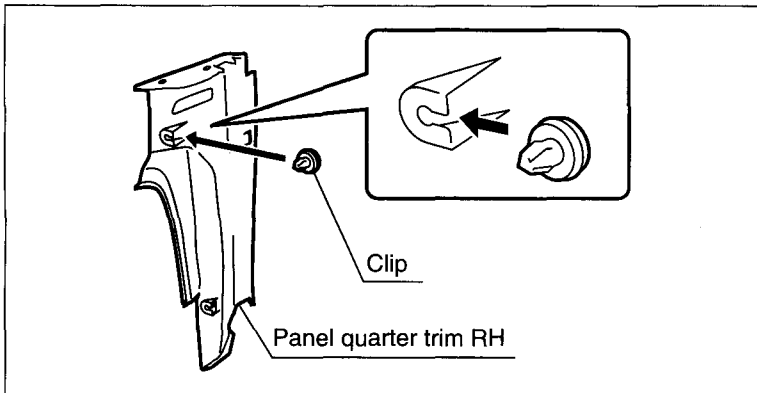


6. Reinstallation

- (1) Keep the side lock lever locked, then fasten bolt A and bolt B on the RH/LH striker.

CAUTION:

- a. Fastening torque: 7.8Nm – 18.2Nm
- b. Use bolt C instead of bolt A if the side lock lever is not fixed properly.
- c. Do not reuse bolts A, B and C as an adhesive compound is applied to them.

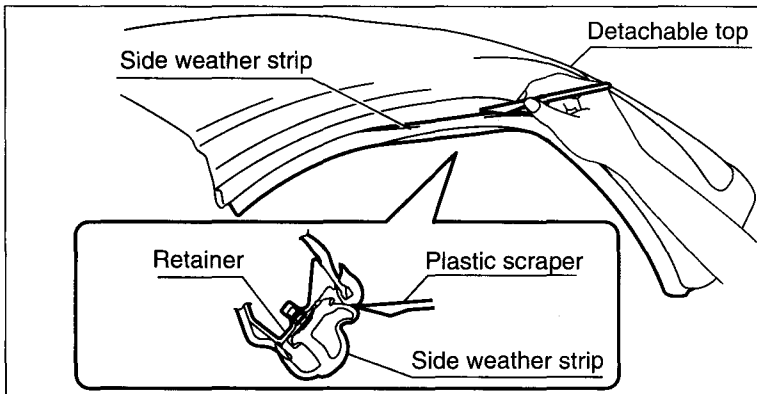


- (2) Install the clip on the attached panel quarter trim RH/LH.
- (3) Thread the seat belt through the panel quarter trim RH/LH and reinstall it.

CAUTION:

Fastening torque: 42Nm

- (4) Reinstall the panel quarter trim lid luggage compartment RH and cover separator trim No. 1.



7. Adjustment of the roof retainer

If there is a gap between door glass and weather strip, follow the procedure below to adjust the location of the weather strip.

- (1) Remove the weather strip.

NOTE:

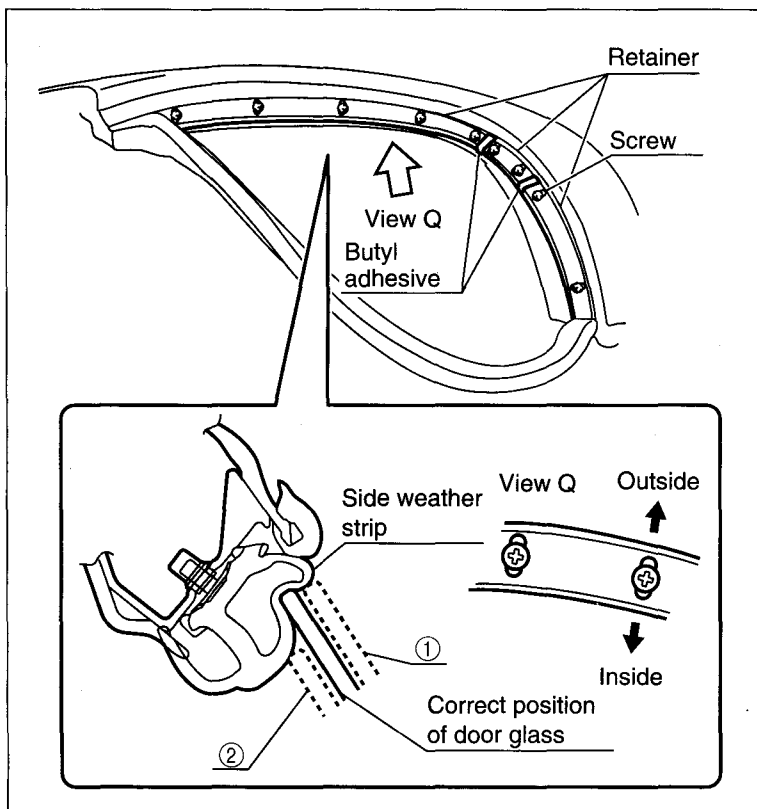
When removing the weather strip, it is easier to use plastic scraper.

- (2) When the door glass is on location ①, loosen the 9 screws of the roof retainer and move the roof retainer toward outside of the vehicle. When the door glass is on location ②, loosen the 9 screws and move the roof retainer toward inside of the vehicle.

- (3) Confirm that the door glass and the weather strip are in the correct position when the door glass is fully raised.

CAUTION:

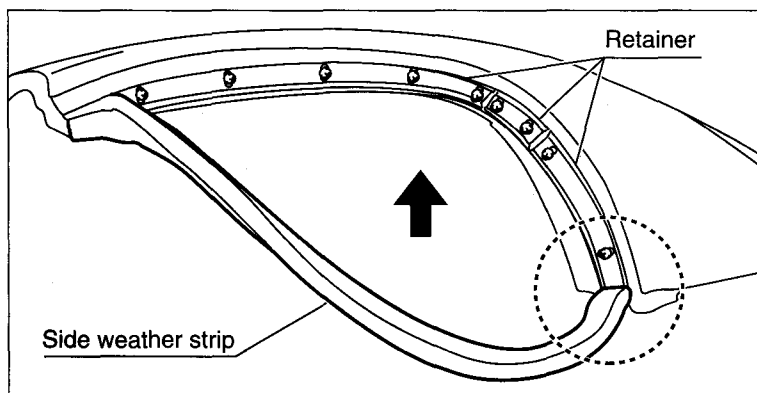
Be careful not to peel off the butyl adhesive when moving the roof retainer.

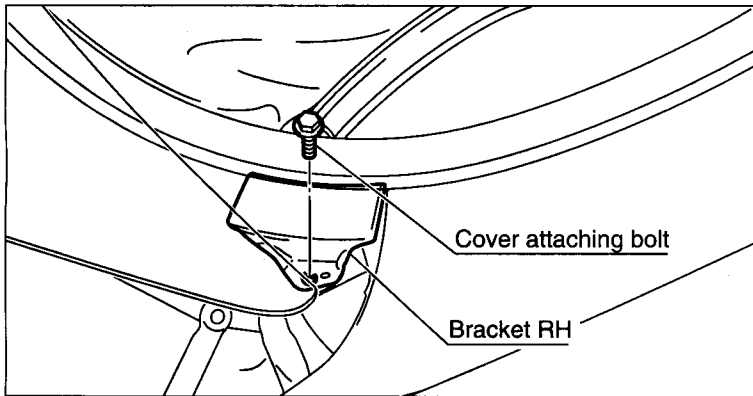
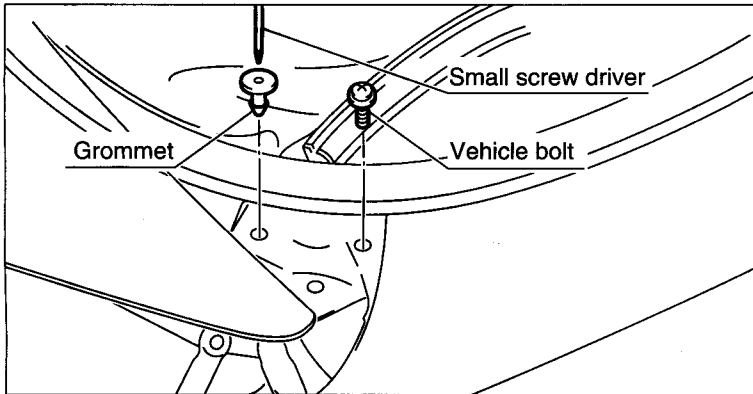
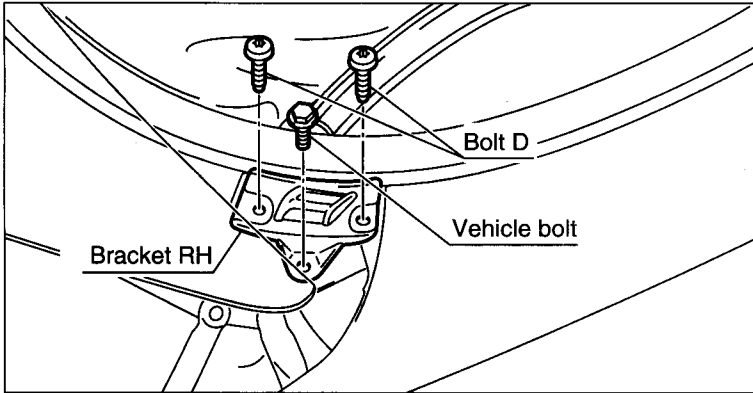


- (4) Tighten the 9 screws of the roof retainer and install the weather strip.

CAUTION:

Confirm that there is no gap between the window and the door and apply water to check for leakage, especially in the indicated area (dot-line circle).





8. Exchange of the bracket

When using the soft roof, you can (if desired) remove the RH/LH bracket and replace them with the original covers (for aesthetic effect only).

- (1) Open the engine hood and remove bolt D and vehicle bolt on RH/LH side, and RH/LH bracket.

(Use torx wrench for bolt D.)

CAUTION:

Put the removed bracket / bolt D into the supplied storage bag and be careful not to lose them.

- (2) Install the grommet into the hole inside the vehicle. Also install the removed bolt (on page 3 step (3)) into the hole outside the vehicle.

CAUTION:

When installing the grommet, the use of a thin screwdriver will make it easier to install.

- (3) Set the RH/LH cover in position and secure them with the cover attaching bolt removed on page 3 step (2).

Installation Inspection and Caution

Confirmation of the installation

- Confirm that both the side lock lever and top lock lever are firmly locked and that the detachable roof is properly installed.
- Confirm that there is no gap between door glass and side weather strip.